

Sandstrøm

Instruction Manual

DAB Retro
Kitchen Radio

SRDAB10





Contents

Unpacking	4
Product Overview	5
Front View	5
Rear View.....	5
Power Source	6
Mains Power	6
Batteries Power	6
Using Earphones	6
Basic Operation	7
Powering ON/OFF	7
Selecting Modes.....	7
Adjusting the Volume.....	7
System Reset.....	7
Software Version.....	7
DAB Operation	8
Auto Scan Mode	8
Manual Tuning.....	8
Selecting Tuned Stations	8
Secondary Services.....	9
Storing Stations.....	9
Recalling a Stored Station	9
Memory.....	9
Display Modes	10
FM Operation	11
Switching from DAB to FM Mode.....	11
Auto Scan	11
Manual Scan.....	11
Storing Stations.....	11
Recalling a Stored Station	12
Select Sensitivity in FM.....	12
Memory.....	12
Display Modes	13
Maintenance	14
Hints and Tips	14
Specification	14
Safety Warnings	15

Congratulations on the purchase of your new Sandstrøm DAB Retro Kitchen Radio.

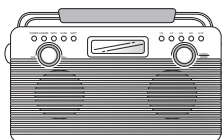
We recommend that you spend some time reading this instruction manual in order that you fully understand all the operational features it offers. You will also find some hints and tips to help you resolve any issues.

Read all the safety instructions carefully before use and keep this instruction manual for future reference.

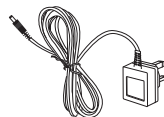
Unpacking

Remove all packaging from the unit. Retain the packaging. If you dispose of it please do so according to local regulations.

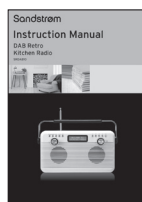
The following items are included:



The Main Unit



Mains Adapter
(P.N.: UKAD840060-1000)



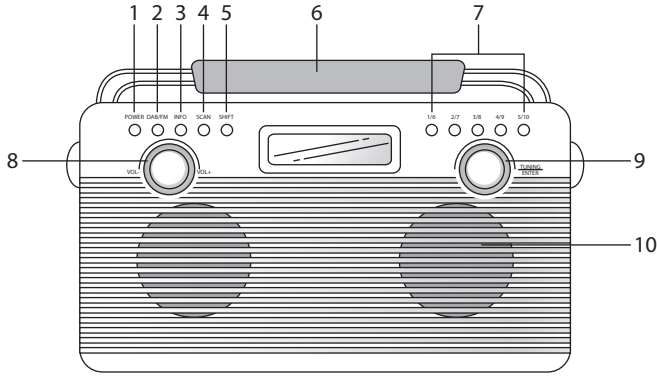
Instruction Manual
(P.N.: SRDAB10-002)

If items are missing or damaged, please contact Partmaster (UK only).
Tel: 0844 800 3456 for assistance.

GB-4

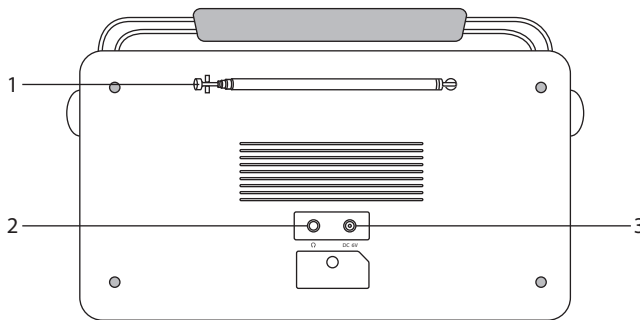
Product Overview

Front View



- | | |
|-------------------------|--------------------------------|
| 1. POWER Button | 6. Handle |
| 2. DAB/FM Button | 7. PRESET 1-10 Button |
| 3. INFO Button | 8. VOL +/- Control |
| 4. SCAN Button | 9. TUNING/ENTER Control |
| 5. SHIFT Button | 10. Speaker |

Rear View

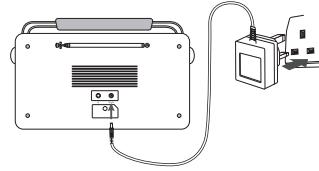


- | | |
|-----------------------------|--------------------|
| 1. Telescopic Aerial | 3. DC 6V IN |
| 2. Earphones Socket | |

Power Source

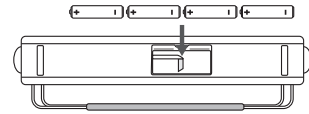
Mains Power

Before using, connect the supplied mains adapter to the DC 6V IN socket at the rear of the unit **and then** to the mains socket.



Batteries Power

1. Open the battery door and insert 4 batteries, type UM-2 or C-cells (not included) with the correct polarity as indicated by the "+" and "-" symbols inside the battery compartment.
2. Replace the battery door making sure the batteries are firmly and correctly in place. The unit is now ready to operate.



Handling the Batteries

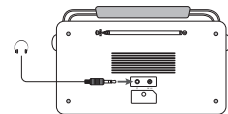
- Improper or incorrect use of batteries may cause corrosion or battery leakage, which could cause personal injury or damage to property.
- Install the batteries correctly by following the polarity (+ and -) indications in the battery compartment.
- Use only the types of the batteries which are indicated in this manual.
- Do not install new batteries with used ones and do not mix different types of batteries.
- Do not dispose of the used batteries as domestic waste. Dispose of them in accordance with local regulations.



When the mains adapter is connected to the unit, power from the batteries is cut off.

Using Earphones

Turn down the volume before connecting the earphones. Slowly raise the volume with the earphones on until you reach your desired volume. When earphones are connected, the speaker is automatically mutes.



Avoid listening to sound at excessive levels which could be harmful to your ears. Prolonged listening at high volume can damage your ears.

GB-6

Basic Operation

Powering ON/OFF

After connecting the mains adapter to the unit and the mains socket press the **POWER** button to switch the unit on.

- Press the **POWER** button again to switch the unit off.
- Disconnect the mains adapter from the mains socket if you want to switch the unit off completely.

Selecting Modes

Press the **DAB/FM** button repeatedly to switch between modes (**DAB** or **FM**).

Adjusting the Volume

Turn the **VOL +/-** control to increase/decrease the volume.

System Reset

There may be times when you need to reset your unit back to the factory settings. If you experience reception problems you may want to reset and try again. If you move the unit to another part of the country and pick up the local and national DAB stations in that area, your previously tuned channels may no longer be available.

To do the system reset, **press and hold the DAB/FM button until "Press Enter key to Reset" shows on the display and then press the TUNING/ENTER control to start the system reset.** The unit will then start "**Quick Scan**" for DAB stations immediately.



After the system reset, all the tuned stations, DAB & FM preset stations and alarm settings will be erased.

Software Version

1. Press and hold the **INFO** button for 2 seconds and then release it to view the software version of this unit.
2. The software version will automatically disappear after 5 seconds.

In FM mode, **press the INFO button to display the Program Identification Code (PI Code).** Press the **INFO** button again to exit.

Programme Identification(PI) is the unique code that identifies the station. Every station receives a specific code with a country prefix.

DAB Operation

Auto Scan Mode

The auto scan will search for the entire DAB Band III channels. After the scan has finished, the first alphanumerically found station will be automatically selected. Search the station between channels 10A and 12D.

1. To activate auto scan, first press the **SCAN** button to start scanning, the display will show "**Autotune Quick Scan**" and the number of stations found. A local scan will take approximately 30-40 seconds.
2. Press and hold the **SCAN** button for 2 seconds to start a wider national and local scan. A national and local scan takes approximately 1 to 3 minutes.
3. All the found stations will be stored automatically. To explore and select listening to the found stations, turn the **TUNING/ENTER** control to select your desired station.



If no stations are found after the auto scan, the unit will enter the Tune Select Menu. Press the **TUNING/ENTER** control to select manual tune for stations.

Manual Tuning

As well as the auto tune function, you can manually tune the receiver. This can help you when aligning your aerial or when adding stations that were missed while auto tuning.

1. Press and hold the **TUNING/ENTER** control, the LCD display will now show Manual tune.
2. Turn the **TUNING/ENTER** control to cycle through the DAB channels, which are numbered from 5A to 13F.
3. After your desired channel number is selected, press the **TUNING/ENTER** control to enter the current multiplex, the top line will now display the first station in the multiplex.
4. Turn the **TUNING/ENTER** control to see what stations are present in the found multiplex.
5. Once you have reached the last station in the found multiplex, it will revert back to the first station again. If you wish to exit the **Manual Tuning** mode, just press the **TUNING/ENTER** control.

Selecting Tuned Stations

1. Turn the **TUNING/ENTER** control to cycle through the tuned stations and select your desired station.
2. If Auto Select is "ON" the station will automatically tune. If Auto Select is "OFF" press the **TUNING/ENTER** control to confirm the selection. To turn Auto Select "ON" or "OFF", select another station and before it tunes in, press and hold the **TUNING/ENTER** control until Auto Select "ON" or Auto Select "OFF" is displayed.

Secondary Services

You may see a ">" symbol after the name of the station. This indicates that there are secondary services available to that station. These secondary services contain extra services that are related to the primary station. e.g. a sports station may want to add extra commentaries. The secondary services are inserted directly after the primary station in the station list.

To select the secondary station, turn the **TUNING/ENTER** control clockwise when the ">" appears in the LCD display before the station name. When the secondary service ends, the unit will automatically switch back to the primary station.

Storing Stations

You can store up to 10 of your favourite stations to the memory. This will enable you to access your favourite stations quickly and easily.

1. To store presets 1-5, you must first be listening to the station that you would like to save, press and hold the **PRESET 1-5** button. The station will be stored and "**Preset # Stored**" will show on the LCD display.
2. To store presets 6-10, you must first be listening to the station that you would like to save, press the **SHIFT** button, then press and hold the **PRESET 6-10** button. The station will be stored and "**Preset # Stored**" will show on the LCD display.



If there is already an existing DAB station stored under a preset, it will be overwritten when you store the new station.

Recalling a Stored Station

1. Once you have saved a station to one of the preset buttons, you can recall it by pressing the **PRESET 1-10** button.
2. For presets 1-5, press the **PRESET 1-5** button to listen to the station.
3. For presets 6-10, press the **SHIFT** button, then press the **PRESET 6-10** button to listen to the station.
4. If you choose a preset that hasn't been allocated a station, "**Preset # Empty**" will be displayed.

Memory

When you power up the unit again, the unit plays the same mode and station (**DAB** or **FM**) as the last operation at the previously selected volume level. (Previous volume level must have been set for longer than 3 seconds.) **Your clock will automatically reset itself.**

Display Modes

Every time you press the **INFO** button, the display will cycle through the following display modes: **Programme Type**, **Multiplex Name**, **Signal Strength**, **Time/Date**, **DLS (Scrolling Text)**.

The information is displayed on the lower segment of the LCD display.

Programme Type

This describes the “**Style**” or “**genre**” of music that is being broadcast e.g. “**Rock**” or “**Classical**”.

Multiplex Name

A multiplex is a collection of radio stations that are bundled and transmitted on one frequency. There are national and local multiplexes. Local ones contain stations that are specific to that area.



DAB – unlike normal radio, groups together several radio stations and transmits them on one frequency.

Signal Strength

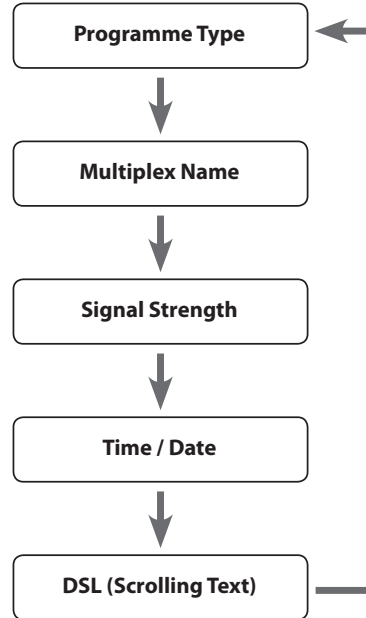
The slide bar indicates how strong the signal is, the stronger the signal, the longer the bar will be.

Time/Date

The broadcaster (Radio station) provides clock and date information automatically so there's no need to manually set this information.

DLS (Dynamic Label Segment)

Dynamic label segment is a scrolling message that the broadcaster may include with their transmissions. The message usually includes information, such as program details etc.



FM Operation

Switching from DAB to FM Mode

To switch the unit from **DAB** to **FM** mode, press the **DAB/FM** button once. The LCD display will show FM and the frequency.

Auto Scan

To search for an FM station, you need to press and then release the **SCAN** button. This will start scanning up the frequency band. To scan down the frequency band, press and hold the **SCAN** button. Once a station has been found, the scanning will stop automatically.

If no station is found, then the tuning will stop once it has cycled through the entire FM band (87.5-108MHz).

Manual Scan

To search for FM stations manually, turn the **TUNING/ENTER** control until your desired frequency is reached.

Storing Stations

You can store up to 10 of your favourite stations to the memory. This will enable you to access your favourite stations quickly and easily.

When you store FM radio station presets, these do not overwrite your DAB station presets.

1. To store presets 1-5, you must first be listening to the station that you would like to save, press and hold the **PRESET 1-5** button. The station will be stored and the "**Preset # Stored**" will show on the LCD display.
2. To store presets 6-10, you must first be listening to the station that you would like to save, press the **SHIFT** button, then press and hold the **PRESET 6-10** button. The station will be stored and "**Preset # Stored**" will show on the LCD display.



If there is already an existing FM station stored under a preset, it will be overwritten when you store the new station.

Recalling a Stored Station

1. Once you have saved a station to one of the preset buttons, you can recall it by pressing the **PRESET 1-10** button.
2. For presets 1-5, press the **PRESET 1-5** button to listen to the station.
3. For presets 6-10, press the **SHIFT** button, then press the **PRESET 6-10** button to listen to the station.
4. If you choose a preset that hasn't been allocated a station, "**Preset # Empty**" will be displayed.

Select Sensitivity in FM

1. Press and hold the **TUNING/ENTER** control for 2 seconds.
2. The display will show 1-10 level, turn the **TUNING/ENTER** control to adjust the sensitivity manually. (1 is LOW; 10 is HIGH)



When there is a weak signal or the desired station is not found, increase the sensitivity or use manual tuning to search for the station.

Memory

When you power up the unit again, the unit plays the same mode and station (**DAB** or **FM**) as the last operation at the previously selected volume level. (Previous volume level must have been set for longer than 3 seconds.) **Your clock will automatically rest itself.**

Display Modes

Every time you press the **INFO** button, the display will cycle through the following display modes: **Programme Type**, **Signal Strength**, **Time/Date**, **Channel Frequency**, **Audio Mode**, **Radio Text**.

Program Service Name(PS)
When a RDS station is received the name of that station (Program Service Name (PS)) will be displayed instead of the frequency display. The following information will also be available.

Programme Type

This describes the "Style" or "genre" of music that is being broadcast e.g. "Rock" or "Classical".

Signal Strength

The slide bar indicates how strong the signal is, the stronger the signal, the longer the bar will be.

Time/Date

The broadcaster (Radio station) provides clock and date information automatically so there's no need to manually set this information. This information is set within 2 minutes after the frequency display changes to the station name. In the unlikely event that the broadcaster does not transmit any clock information, an incorrect time and date will be displayed.

Channel Frequency

This shows the frequency of the current station e.g. 89.80MHz.

Audio Mode

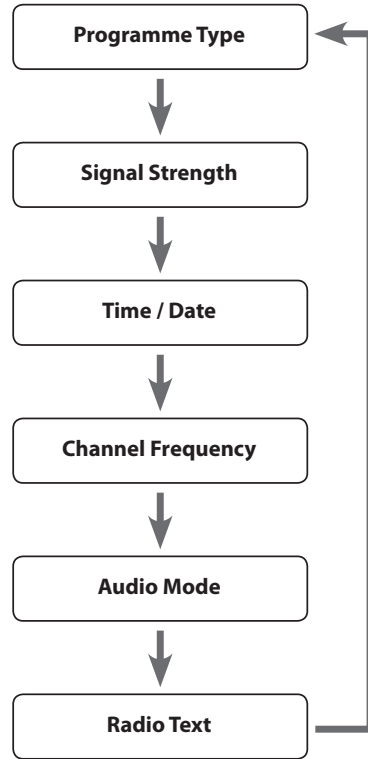
When in **FM** mode, the display will show if the station being received is in mono or stereo. The receiver will automatically switch between **Stereo** and **Mono** mode. You can however override this function, so that you can manually switch between **Stereo** and **Mono** mode, which is helpful if you're listening to a poor FM signal.



To switch between mono and stereo, press the **TUNING/ENTER** control once, "Audio Mode: Auto" or "Audio Mode: Mono" will be displayed. To toggle between each mode, just turn the **TUNING/ENTER** control again.

Radio Text

As with DAB, the broadcaster can include a scrolling text that displays information about the current program. If Radio text information is not available, then the display will show <Radio Text>.



- Product Overview and Connections
- Basic Operation
- DAB Operation
- FM Operation
- Maintenance, Hints and Tips and Specification
- Safety Warnings

Maintenance



Ensure to unplug the unit from the mains socket before cleaning.

- To clean the unit, wipe the case with a slightly moist, lint-free cloth.
- Do not use any cleaning fluids containing alcohol, ammonia or abrasives.
- Do not spray an aerosol at or near the unit.

Hints and Tips

Problem	Cause / Solution
No Sound	Adjust the volume control, it may not be turned up.
Static Sound	Poor reception. Adjust the aerial or move the unit to a stronger signal location.
Sound is distorted	Volume is too high. Adjust the volume control.
Desired station not found	Weak signal. Use the Manual Tune function or increase the sensitivity (FM only)
The LCD display shows "SERVICE N/A"	No DAB coverage in your area or poor reception. Adjust the position of the aerial.
	Poor reception. Adjust the position of the aerial.
The LCD display is blank	This may occur if the broadcaster changes the label of a service or removes a label. The unit will try to retune or perform a scan.

Specification

Mains Supply	Input: AC 100 – 240V~ 50/60Hz
	Output: DC 6V 1A DC battery 4 x 1.5V (Battery not included)
Output Power	2 x 2.0W
Radio Frequency Range	FM 87.5 – 108 MHz
	DAB BAND III 174.928 – 239.200 MHz
Dimension	300 (L) x 60 (W) x 150 (H) mm
Weight	1.3kg

Features and specifications are subject to change without notice.

Safety Warnings

- Read all the instructions carefully before using the unit and keep them for future reference.
- Retain the manual. If you pass the unit onto a third party make sure to include this manual.
- Check that the voltage marked on the rating label matches your mains voltage.

Damage

- Please inspect the unit for damage after unpacking.
- Do not continue to operate the unit if you are in any doubt about it working normally, or if it is damaged in any way - switch off, withdraw the mains plug and consult your dealer.

Location of Unit

- The unit must be placed on a flat stable surface and should not be subjected to vibrations.
- Do not place the unit on sloped or unstable surfaces as the unit may fall off or tip over.
- The mains socket must be located near the unit and should be easily accessible.
- This unit is designed for indoor use only.

Temperature

- Avoid extreme degrees of temperature, either hot or cold. Place the unit well away from heat sources such as radiators or gas/electric fires.
- Avoid exposure to direct sunlight and other sources of heat.

Naked Flames

- Never place any type of candle or naked flame on the top of or near the unit.

Moisture

- To reduce the risk of fire, electric shock or product damage, do not expose this unit to rain, moisture, dripping or splashing. No objects filled with liquids, such as vases, should be placed on the unit.
- If you spill any liquid into the unit, it can cause serious damage. Switch it off at the mains immediately. Withdraw the mains plug and consult your dealer.

Ventilation

- To prevent the risk of electric shock or fire hazard due to overheating, ensure that curtains and other materials do not obstruct the ventilation vents.
- Do not install or place this unit in a bookcase, built-in cabinet or in another confined space. Ensure the unit is well ventilated.

Safety

- Always disconnect the unit from the mains supply before connecting/disconnecting other devices or moving the unit.
- Unplug the unit from the mains socket during a lightning storm.
- In the interests of safety and to avoid unnecessary energy consumption, never leave the unit switched on while unattended for long periods of time, e.g. overnight, while on holiday or while out of the house. Switch it off and disconnect the mains adapter from the mains socket.

Mains Adapter Cable

- Make sure the unit is not resting on top of the mains adapter, as the weight of the unit may damage the mains adapter and create a safety hazard.

Interference

- Do not place the unit on or near appliances which may cause electromagnetic interference. If you do, it may adversely affect the operating performance of the unit, and cause a distorted sound.

Batteries

- Batteries used in the unit are easily swallowed by young children and this is dangerous.
- Keep loose batteries away from young children and make sure that the battery holder tray is secure in the unit. Seek medical advice if you believe a cell has been swallowed.
- Please dispose of batteries correctly by following the guidance in this manual.

Earphones

- Listening to loud sounds for prolonged periods of time may permanently damage your hearing.
- Before putting on earphones, turn the volume down then put the earphones on and slowly increase the volume until you reach a comfortable listening level.

Supervision

- **Children should be supervised to ensure that they do not play with the unit.**
- Never let anyone especially children push anything into the holes, slots or any other openings in the case - this could result in a fatal electric shock.



The lightning flash with arrowhead symbol, within an equilateral triangle, is intended to alert the user to the presence of uninsulated "dangerous voltage" within the unit's enclosure that may be of sufficient magnitude to constitute a risk of electric shock.



The exclamation point within an equilateral triangle is intended to alert the user to the presence of important operating and maintenance (servicing) instructions in the manual accompanying the unit.

Service

- To reduce the risk of electric shock, do not remove screws. The unit does not contain any user-serviceable parts. Please leave all maintenance work to qualified personnel.
- Do not open any fixed covers as this may expose dangerous voltages.

Maintenance

- Ensure to unplug the unit from the mains socket before cleaning.
- Do not use any type of abrasive pad or abrasive cleaning solutions as these may damage the unit's surface.
- Do not use liquids to clean the unit.

NOTE: If you require a replacement for any of the items listed below, please quote their corresponding part numbers:

Replacement Part	Part Number
Mains Adapter	UKAD840060-1000



Visit Partmaster.co.uk today for the easiest way to buy electrical spares and accessories. With over 1 million spares and accessories available we can deliver direct to your door the very next day. Visit www.partmaster.co.uk or call 0844 800 3456 (UK customers only) Calls charged at National Rate.

Notes for battery disposal

The batteries used with this product contain chemicals that are harmful to the environment. To preserve our environment, dispose of used batteries according to your local laws or regulations. Do not dispose of batteries with normal household waste.

For more information, please contact the local authority or your retailer where you purchased the product.



This symbol on the product or in the instructions means that your electrical and electronic equipment should be disposed at the end of its life separately from your household waste. There are separate collection systems for recycling in the EU.

For more information, please contact the local authority or your retailer where you purchased the product.

All trademarks are the property of their respective owners and all rights are acknowledged.

DSG Retail Ltd • Maylands Avenue • Hemel Hempstead
Herts • HP2 7TG • England

(P.N. SRDAB10-002)





